

Domestic Heelguard Channel Drainage

Benefits

Polydrain are now offering customers a high quality channel drainage system suitable for domestic drainage applications. (Class A15)

A High quality, high strength shallow channel strength, available in 1 metre lengths making Polydrain quick and easy to install.

Black Plastic (A15)



A full range of accessories are available, designed to aid simple and fast installation

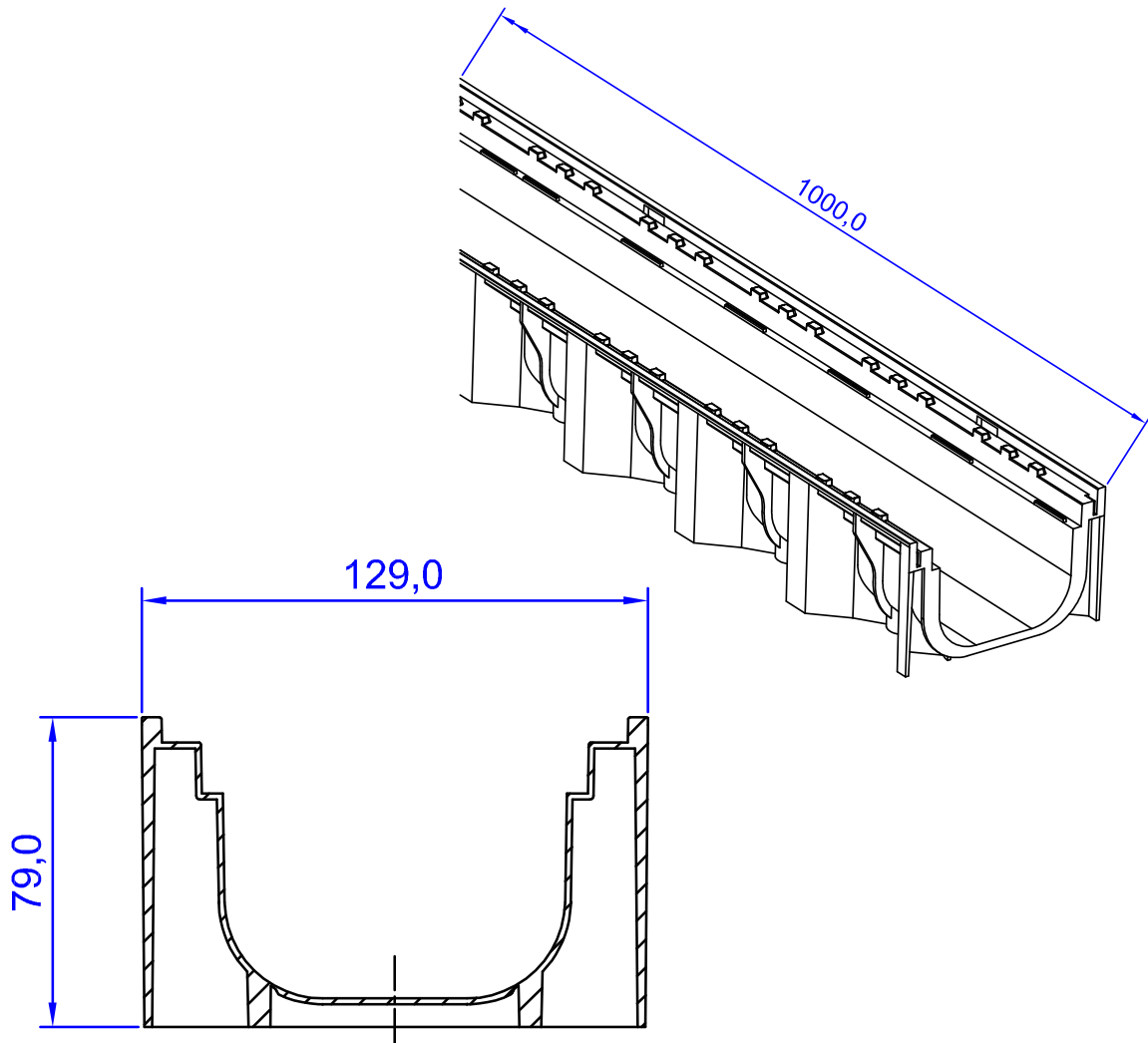
Application & Benefits

450mm Inspection Chamber

450mm DIA Inspection Chamber Base

- Supplied with four easy fit bungs to block off unused outlets.
- Total depth can be up to 1.2m using R450.
- Channel size 110mm

Channel Dimensions



Accessories

Dimensional Guide

Accessories		Dimensional Guide	
BODY OUTLET Channel Size 110mm Code CDBO	END CAP Code CDEDC	END CAP OUTLET Channel Size 110mm Code CDEO	QUAD BODY Channel Size 110mm Code CDQ