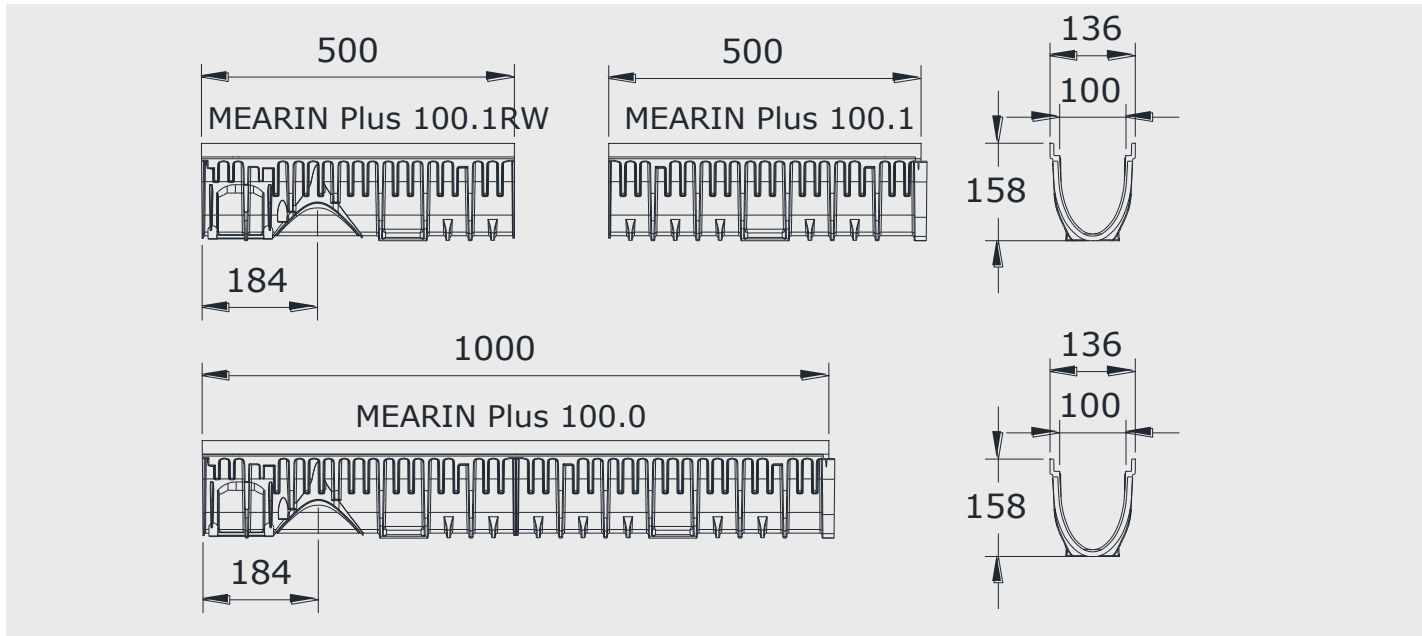


MEARIN Plus 100 BLACK

Drainage channel with GRP edge and channel groove according EN 1433

MEARIN Plus 100 BLACK



Material properties

Channel unit and construction unit

o SMC (Sheet moulded compound):	glassfibre reinforced polyester, with natural minerals
o Tensile strength:	65 N/mm ² (ISO527)
o Flexural tensile strength:	120 N/mm ² (ISO14125)
o Modulus of elasticity:	10.000 N/mm ² (ISO14125)
o Linear expansion coefficient:	1,5 - 2,0 x 10 ⁻⁵ 1/K
o Heat resistance:	100°C permanent exposure, short-term exposure to 200°C
o Frost resistance:	-35°C
o Water absorption	<0,1% (ISO R178)
o Material structure	capillary free
o colour:	black

Edge protection

MEARIN Plus
o glassfibre reinforced polyester

Channel covers

o plastic

Remark

* From loading class D400 not suitable for cross drainage of high speed roads and motorways

MEARIN Plus 100 BLACK

Drainage channel with GRP edge and channel groove according EN 1433

Channel made of glassfibre reinforced polyester (GRP), with channel cover including STARFIX channel cover securement.

Clear width 100mm, total width 136mm. Channel units without fall. Loading classes A15 - C250 to EN 1433.

Loading classes as indicated when built-in according to MEA installation instructions.

Complete drainage system MEARIN Plus 100 BLACK, with plastic slotted grating class C250 with STARFIX

material group	product description	length [mm]	total height [mm]	EDP-No. 010...	EAN-Code 4001990...	kg/unit	units/pallet
MP	MEARIN Plus 100.0 BLACK channel ¹⁾²⁾ + plastic slotted gratings C250	1000	158	140560	275092	7,20	36

Channel unit MEARIN Plus 100 BLACK, without fall, class D400*

material group	product description	length [mm]	total height [mm]	EDP-No. 010...	EAN-Code 4001990...	kg/unit	units/pallet
MP	MEARIN Plus 100.0 BLACK channel ¹⁾²⁾	1000	158	140564	275719	4,00	85
MP	MEARIN Plus 100.1 BLACK channel ¹⁾²⁾	500	158	140566	275726	2,00	170
MP	MEARIN Plus 100.1RW BLACK channel ¹⁾²⁾	500	158	140568	275733	2,00	170

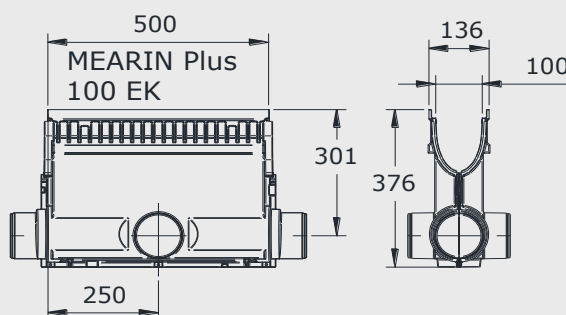
1) With connection facility for vertical outlet Ø 110mm, end caps with lateral connector Ø 110mm or lateral channel connection for T- and cross connections.

2) With connection facility for siltbox/gully Ø 110mm or end caps with horizontal connector Ø 110mm.

3) Can be used as change flow directions and channel line extension for 0.5m.

MEARIN Plus 100 BLACK accessories

MEARIN Plus 100 BLACK silt box



Silt box for MEARIN Plus 100 BLACK

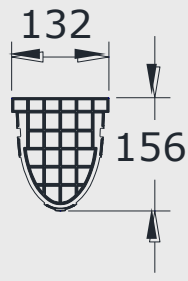
material group	product description	length [mm]	total height [mm]	EDP-No. 010...	EAN-Code 4001990...	kg/unit	units/pallet
MP	MEARIN Plus 100.0 BLACK silt box made of polymer concrete with GRP edge	500	376	140570	275740	7,00	16
MP	MEARIN Plus 100.0 BLACK silt box + plastic slotted grating C250	500	376	140562	275702	8,60	16

Remark

* From loading class D400 not suitable for cross drainage of high speed roads and motorways

MEARIN Plus 100 BLACK accessories

MEARIN Plus 100 BLACK end cap



End cap for MEARIN Plus 100 BLACK

material group	product description	material	EDP- No. 010...	EAN- Code 4001990...	kg/unit	units/ pallet
MP	MEARIN Plus 100.SE BLACK end cap closed for channel start and end	PP	140572	275757	0,04	1

MEA Water Management GmbH
 Sudetenstraße 1
 86551 Aichach
 Tel.: +49 (0) 82 51. 91 0
 Fax: +49 (0) 82 51. 91 13 00
 E-Mail: info.drainage@mea.de
 www.mea-group.com