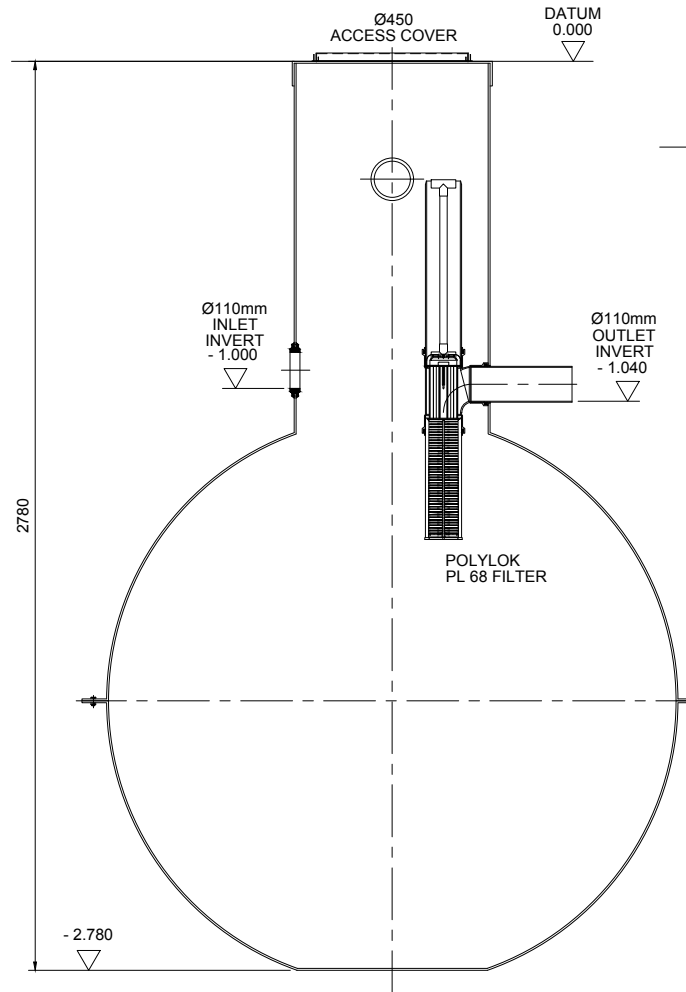
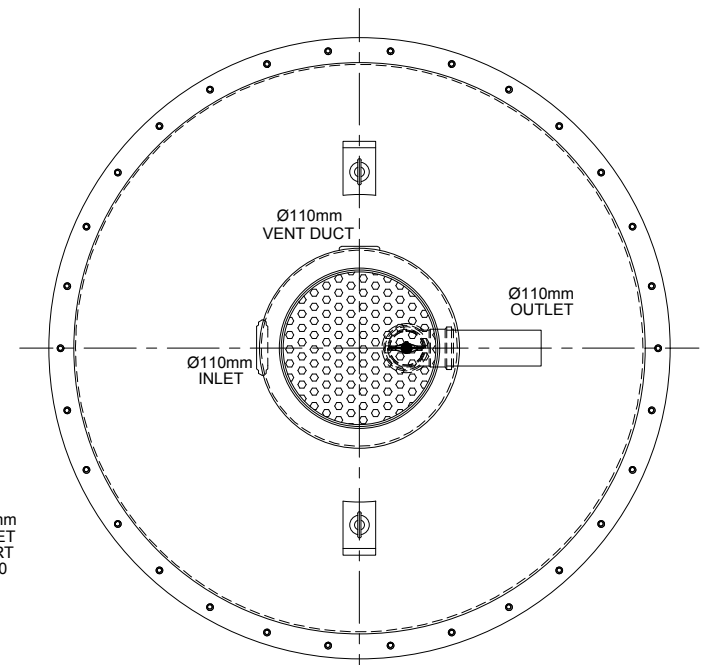


VIEW ON INLET



SECTION THRO' TANK



PLAN

REV	DESCRIPTION	DATE	SIG	REV	DESCRIPTION	DATE	SIG
A	For Approval	13.10.16					
B	SEPTIC TANK REDRAWN.	24.09.18	K & N				

THIS DRAWING IS THE PROPERTY OF MARSH INDUSTRIES LTD. AND MUST NOT BE REPRODUCED OR CIRCULATED FOR ANY PURPOSE WHATSOEVER WITHOUT FIRST OBTAINING WRITTEN CONSENT FROM THE MARSH INDUSTRIES LTD.

ORIG.	CHRD	APPD
SCALE		DATE
N.T.S		13.10.16

3 RD ANGLE PROJECTION DO NOT SCALE IF IN DOUBT ASK

CLIENT

TITLE

MARSH  
EURO : SEPTIC  
2800 L CAPACITY

**MARSH** UNITS 9-13 ADDINGTON PARK IND. EST.,  
LITTLE ADDINGTON, KETTERING,  
NORTHAMPTONSHIRE, NN14 4AS.

**MARSH INDUSTRIES** >  
Leaders in off-mains drainage

DRG. REV B